

CW TECH-MESH™

Tech-Mesh and Welding Products



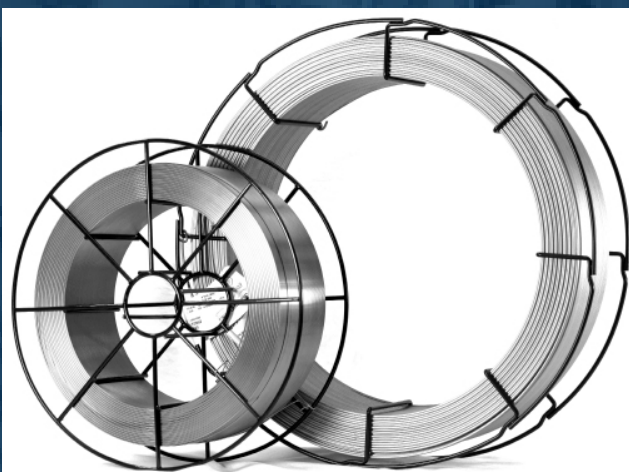
CUSTOM DEMISTER PADS

Custom mist eliminators manufactured to your wire grades, diameters, alloys, mesh densities, and product geometries.



KNITTED WIRE MESH

Bulk knitted wire mesh in a wide selection of alloys and mesh densities, ensuring you receive the exact material you need time and time again.



WELDING WIRE

Welding wire available in a variety of Stainless Steel, Nickel, and Copper Alloys to meet all of your welding requirements, regardless of application.



www.centralwire.com | sales@centralwire.com | 1-800-325-5861



CWITECH-MESH™

www.cwitech-mesh.com

Central Wire Industries Tech-Mesh™ is knitted on state of the art equipment under strict quality control processes to maximize separation efficiency and minimize pressure drop. Our knitted wire mesh is an efficient, economical, and reliable product for mist elimination of liquids in oil refinery, chemical processing, and a wide range of other applications. All of our core products are produced in-house, and our finished mist eliminators are always manufactured in the USA through our Houston, Texas facility. We offer a wide range of alloys beyond traditional 300 series stainless steel, including but not limited to grades like Alloy 625, 825 and many others. Whether you need Monel® 400 bulk mesh, or a custom Nickel 200 demister pad, our knitted wire mesh products are always manufactured according to our customers' unique specifications.

APPLICATIONS

- Mist elimination
- Chemical processing
- Filtration

SHAPES

- Round
- Rectangular
- Custom

STAINLESS STEEL ALLOYS

- 304 Stainless Steel
- 304L Stainless Steel
- 316 Stainless Steel
- 316L Stainless Steel
- 317L Stainless Steel
- 321 Stainless Steel
- 347 Stainless Steel
- 2205 Stainless Steel

SPECIALTY ALLOYS

- Monel® 400
- Alloy 20Cb3
- Nickel 200

COPPER ALLOYS

- C101
- C102
- C110



CWI GEN⁴ WELDING

www.centralwire.com/products/welding-wire

Our evolutionary CWI Generation4™ specialty alloy welding products are manufactured with the highest quality raw materials including; stainless, nickel, cobalt and copper. Our products fulfill the specific, filler needs of many technical processes, including SAW, TIG, and MIG. All welding products are supplied with a certificate of conformance stating physical and mechanical properties, including alloy chemistry. We produce high-quality welding wire that burns cleanly and smoothly. Our team will work with you to reduce delays in your repairs or turnarounds.

PACKAGING OPTIONS

- Reels
- Spools
- Drums/Drum Packs
- Tubes

WELDING TYPES

- Tungsten Inert Gas (TIG) Welding
- Metal Inert Gas (MIG) Welding
- Submerged Arc (SAW) Welding

STAINLESS STEEL ALLOYS

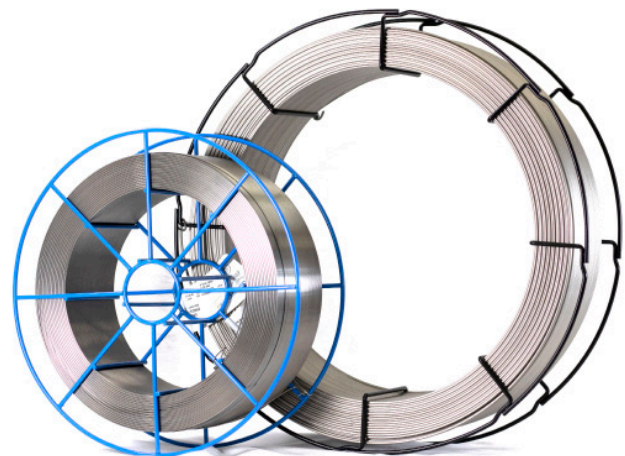
- GEN 218
- GEN 307 – 18 8 Mn
- GEN 308/308H – ER308/308H
- GEN 308/308L – ER308/308L
- GEN 308LSi – ER308LSi
- GEN 309/309L – ER309/309L
- GEN 309LSi – ER309LSi
- GEN 309LMo
- GEN 310 – ER310
- GEN 312 – ER312
- GEN 316/316L – ER316/316L
- GEN 316LSi – ER316LSi
- GEN 317L – ER317L
- GEN 320LR – ER320LR
- GEN 330 – ER330
- GEN 347 – ER347
- GEN 385 (904L) – ER385
- GEN 409Nb – ER409Nb
- GEN 410 – ER410
- GEN 410NiMo – ER410NiMo
- GEN 420 – ER420
- GEN 430 – ER430
- GEN 430NLb – ER430NLb
- GEN 630 (17-4PH) – ER630
- GEN 2209 (Duplex Grade) – ER2209
- GEN 2594 (Super Duplex Grade)

NICKEL ALLOYS

- GEN 55
- GEN 99 – ERNiCl
- GEN 208 – ERNi-1
- GEN 276 – ERNiCrMo-4
- GEN 413 – ERCuNi
- GEN 418 – ERNiCu-7
- GEN 606 – ERNiCr-3
- GEN 617 – ERNiCrCoMo-1
- GEN 622 – ERNiCrMo-10
- GEN 625
- 625LHIW – ERNiCrMo-3
- GEN 686
- GEN 718 – ERNiFeCr-2
- GEN 825 – ERNiFeCr-1

COPPER ALLOYS

- Deoxidized Copper (C 189) ERCu
- Silicon Bronze (C656) – ERCuSi-A





Central Wire Industries helps take the stress out of turnaround season! Whether you need knitted wire mesh for mist eliminators or welding wire for general repairs, we have all the supplies you need in one place.

Gen⁴ Welding Facilities

CALGARY, AB (CA)
HOUSTON, TX (USA)
PERTH, ON (CA)
LANCASTER, SC (USA)

Tech-Mesh Facilities

CALGARY, AB (CA)
HOUSTON, TX (USA)

Welding Wire available to ship from stock,
Tech-Mesh produced to order.

www.centralwire.com
www.cwitech-mesh.com
sales@centralwire.com

CWITECH-MESH™

CWI GEN⁴ WELDING

CWI GROUP OF COMPANIES